



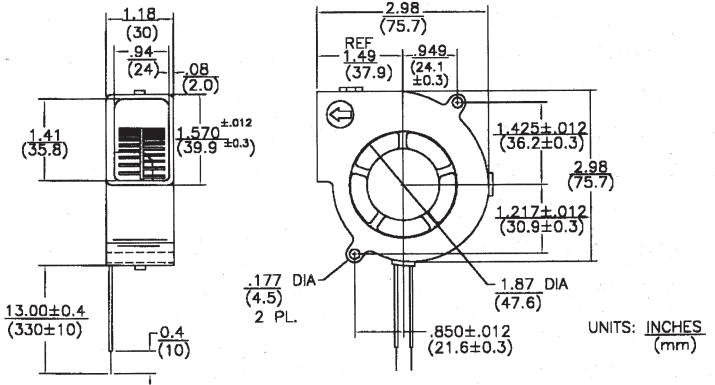
USTF75B30 Series

Size: 2.98 in sq. x 1.18 in. thk
(75.7mm sq. x 30mm thk.)

Airflow: 9.0 - 11.3 CFM

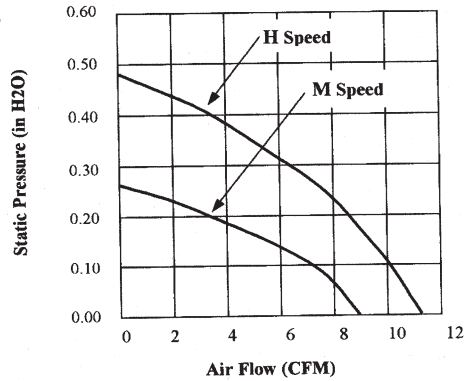
Acoustical Noise: 32 - 38 dB (A)

- MATERIAL:** Frame - Black PBT (UL 94V-0)
Bearings - Ball
Impeller - Black PBT (UL 94V-0)
- WEIGHT:** 3.17 oz. (90g)
- TERMINATION:** Lead Wires (UL 1007, AWG24)
- OPERATION TEMPERATURE:** -10° to +70°C
- INSULATION RESISTANCE:** 10 megohms min @ 500 VDC
- DIELECTRIC STRENGTH:** 500 VAC for 1 min.
- INSULATION:** Class A
- SAFETY:** Impedance & Polarity Protected
- SAFETY APPROVALS:** UL, CSA & CE
- OPERATING VOLTAGE:** 12 VDC (10 to 13.8) - 24 VDC (14 TO 27.6)



PERFORMANCE CURVES: (Obtained with test chamber and methods in accordance with AMCA Std. 210-74)

USTF75B30XXHW & MW



SPECIFICATIONS: (All values are typical)

PART NUMBER	VOLTS	WATTS	AMPS	RPM	NOISE dB (A) @ 1M	CFM
USTF75B3012HW	12VDC	2.64	0.22	2900	38.0	11.3
USTF75B3012MW	12VDC	1.56	0.13	2350	32.0	9.0
USTF75B3024HW	24VDC	2.88	0.12	2900	38.0	11.3
USTF75B3024MW	24VDC	1.68	0.07	2350	32.0	9.0

MODELS AVAILABLE ON REQUEST:

Failure Detector - rotation sensing - Add Suffix "SR" to part number
Speed Controller - tach output - Add Suffix "SF" to part number